



SPECIFICATION: TSCHA-1041-BLACK-HDMI

	Industrial Chassis LCD Monitor
MODEL	TSCHA
PRODUCT NO.	TSCHA-1041-RE-HDMI
CUSTOMER	
DATE	2020-03-22

APPROVED BY TOUCH AND DISPLAYS CO.,LTD	
ENGINEER	Kyeong Min Lee
REVIEWER	 <small>Sung-Hyun Kim Managing Director</small>
CONFIRMED	



MONITOR

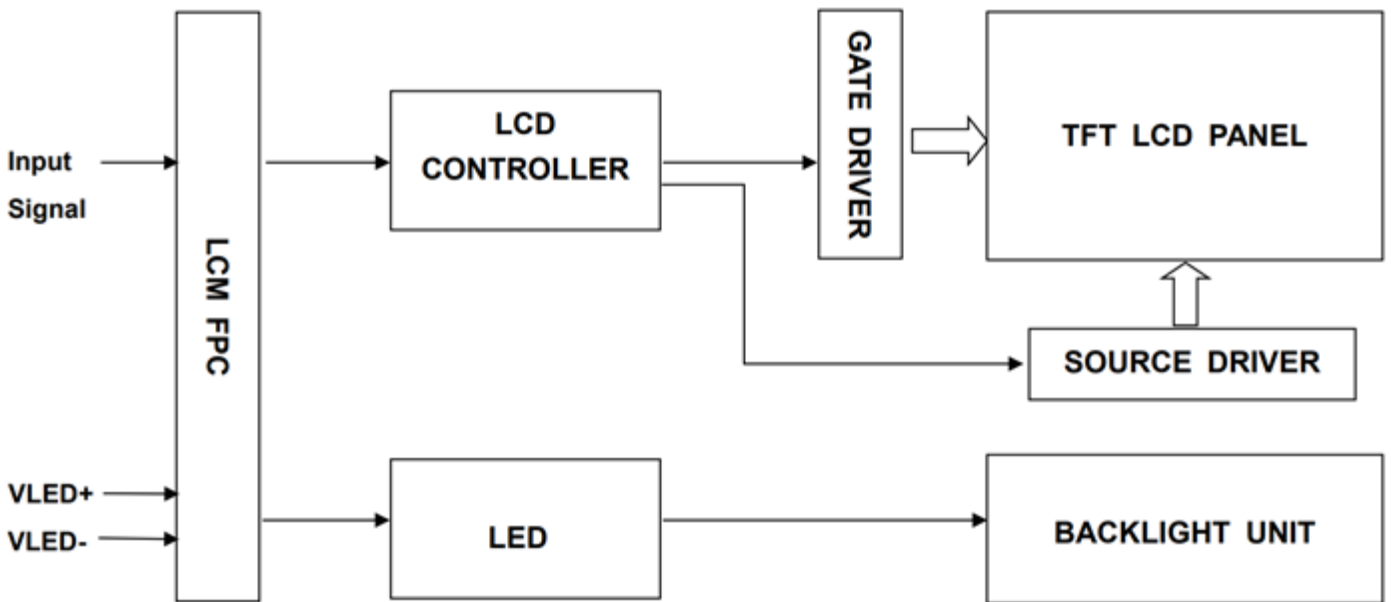
ITEMS	SPECIFICATION	
LCD	Size	10.4"
	Active Area(mm)	211.2(H)*158.4(V)
	Pixel Pitch(mm)	0.20625(H)*0.20625(V)
	Resolution	1024x768
	Contrast Ratio	900
	Display Color	16.2M
	Response Time	30(Typ)
	Brightness(cd/m2)	700cd/m2
	Viewing Angle(L/R/U/D)	85/85/85/85
	Operating Temperature	-20'~70'C
	Storage Temperature	-30~+80'C
	Frame	Chassis Frame VES mount
	Signal Connector	HDMI
	Power source	DC24V, AC 110~220V
Touch Panel	Industrial Resistive Touch	
I/O Port	Video	1x HDMI, 1X USB, 1x 24V Power Socket
Audio	Speaker	Optional
IO Port	Video	1xHDMI
Mechanical	Dimension	260.2x207.2x43mm
	Enclosure	Metal
Audio	Speaker	Optional
Accessories		1x24v dc cable, 1x3m HDMI cable, 1x 3m USB cable

LCD

General information

Item	Specification	Unit
Outline Dimension	236 (H) x 174.3 (V) x 7.4 (D) (Typ)	mm
Display area	211.2(H) x 158.4(V) (10.4" diagonal)	mm
Number of Pixel	1024(H) x 768(V)	pixels
Pixel pitch	0.20625(H) x 0.20625(V)	mm
Pixel arrangement	RGB Vertical Stripe	
Display mode	Normally Black	
NTSC	70(Typ.)	%
Surface treatment	Antiglare, Hard-Coating (3H)	
Weight	TBD	g
Back-light	Single LED (Side-Light type)	
Power Consumption	Logic System (White Pattern)	Logic 2.0W(max) @V _{DD} =3.3V
	B/L System	6.144(Max.)

1. Block Diagram



2. PC-RGB Supported Model Table

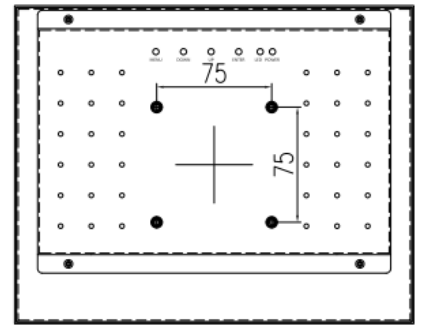
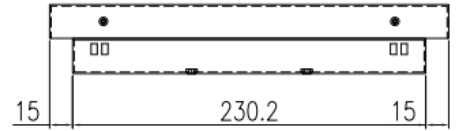
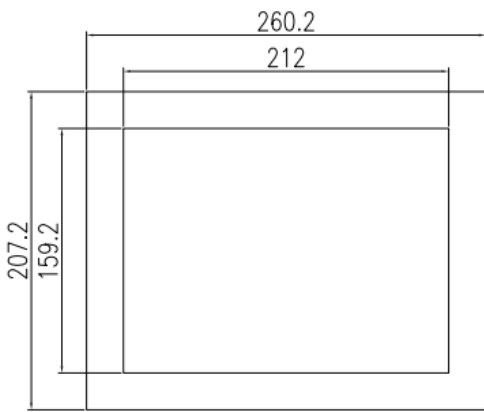
This section lists some of the PC-RGB modes supported by this product, including their vertical frequency, horizontal frequency, and resolution.

PC-RGB Mode Table (This table is for the reference only, due to differences in signal source output, the data may vary from the table)

	Resolution	Horizontal frequency (KHz)	Vertical frequency (Hz)	Standard
WUXGA	1920X1200	74.5	60	
		94.0	75	
UXGA	1600X1200	74.5	60	VESA
		94.0	75	
WSXGA+	1680X1050	65.2	60	
		82.2	75	
WXGA+	1440X900	55.9	60	--
		70.5	75	
WXGA	1280X800	49.7	60	--
		62.6	75	
SXGA+	1400X1050	65.2	60	--
		82.2	75	
SXGA	1280X1024	63.6	60	VESA
		80.2	75	
XGA	1024X768	47.7	60	VESA
		56.0	70	
		60.1	75	
SVGA	800X600	37.3	60	VESA
		43.8	70	
		47.3	75	
VGA	640X480	29.8	60	VESA
		35.0	70	
		37.7	75	
DOS	640X480	29.8	60	VESA
	720X400	29.2	70	

MECHANICAL DRAWING

TSCHA-1041-RE



NOTE

1. This is a simplified drawing and some components are not marked in detail.
2. Please contact our sales representative if you need further product information.
3. All specifications are subject to change without prior notice.
4. The product shown in this datasheet is a standard model. For diagrams that contain customized or optional I/O , please contact our Team for more information.